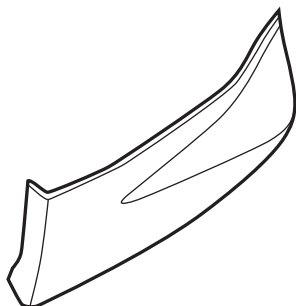
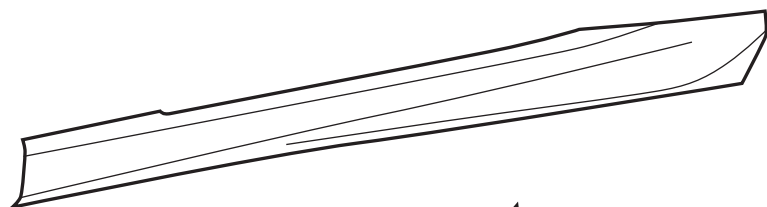
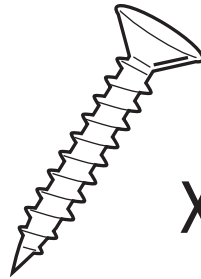
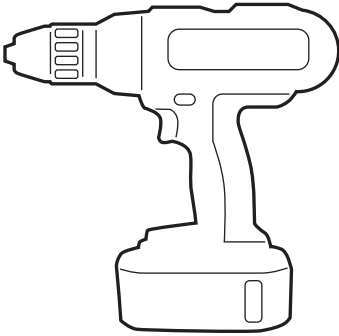
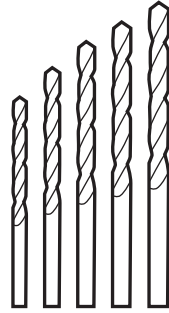
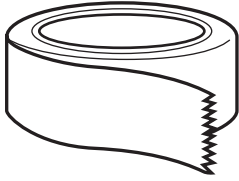


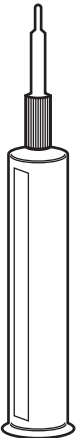
# SCION FR-S AERO LIP KIT (5-PIECE) **BASIC INSTALLATION GUIDE**



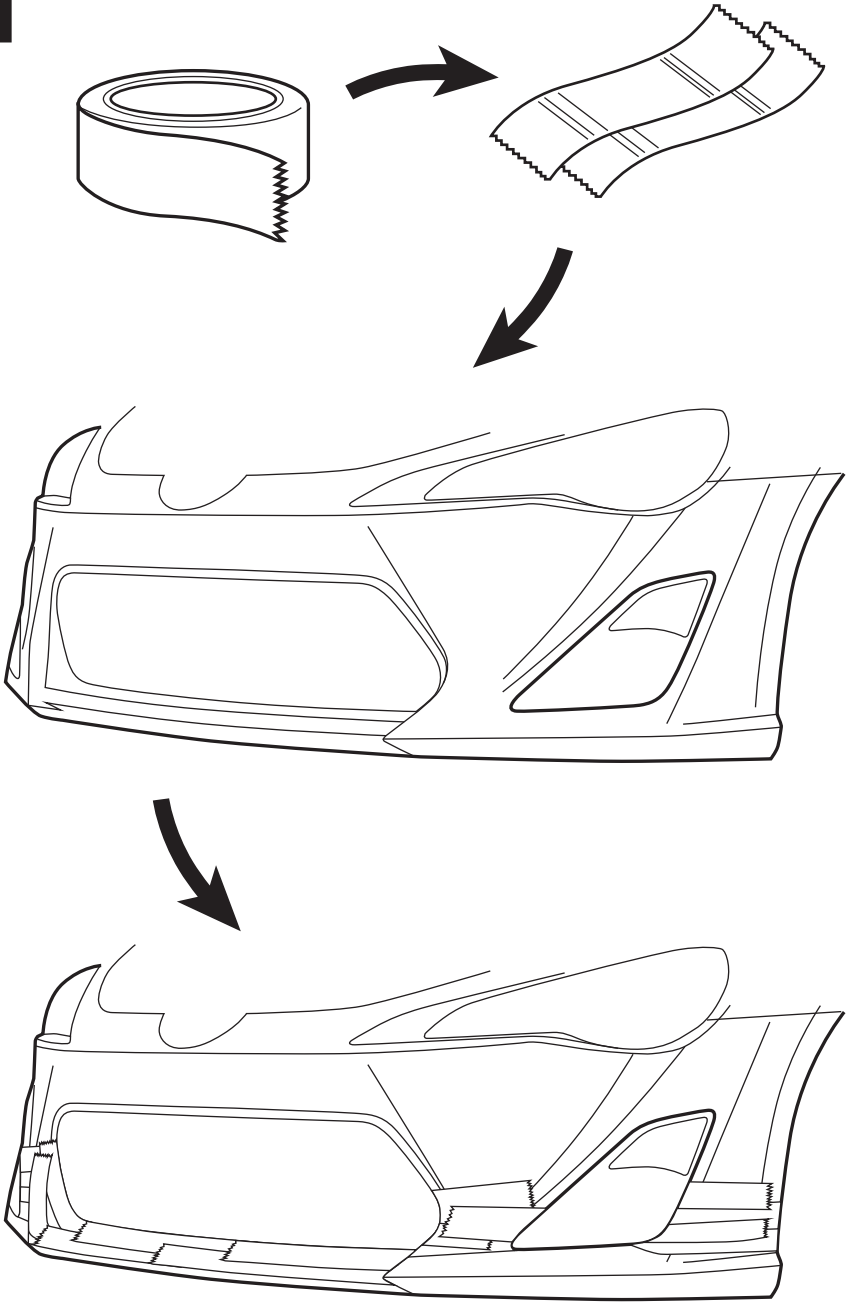
***ML24***

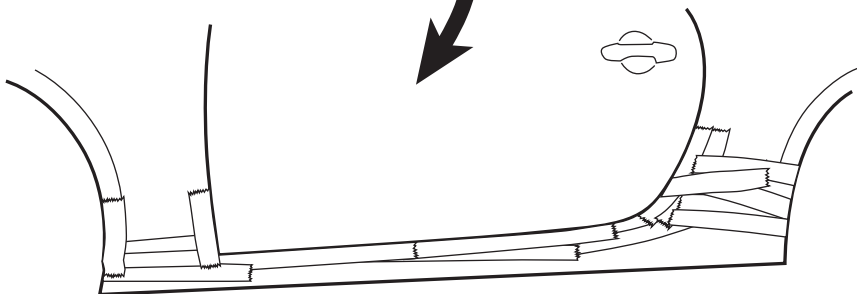
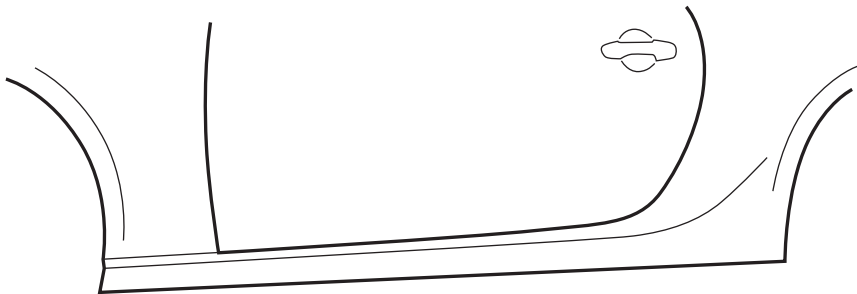


X8

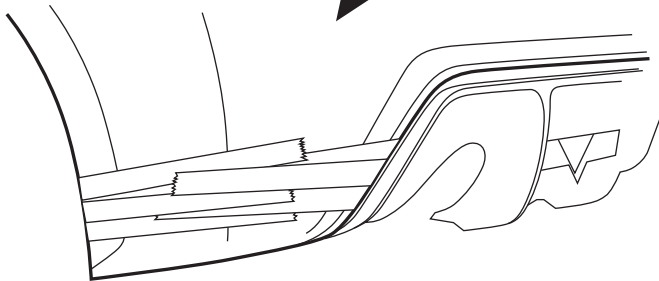
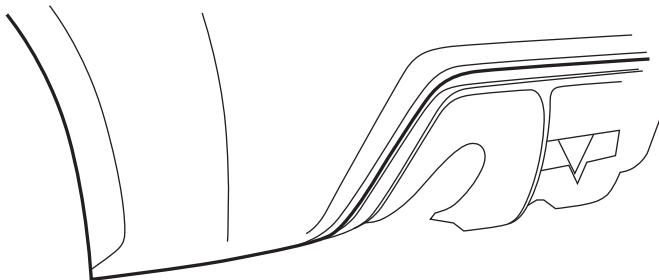


1



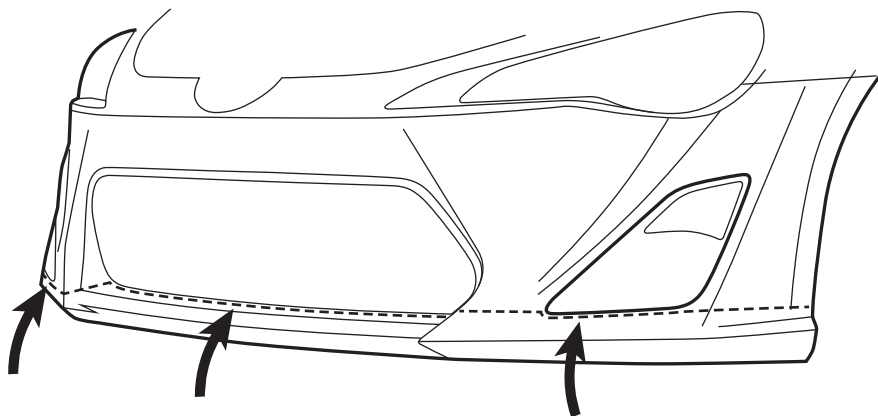
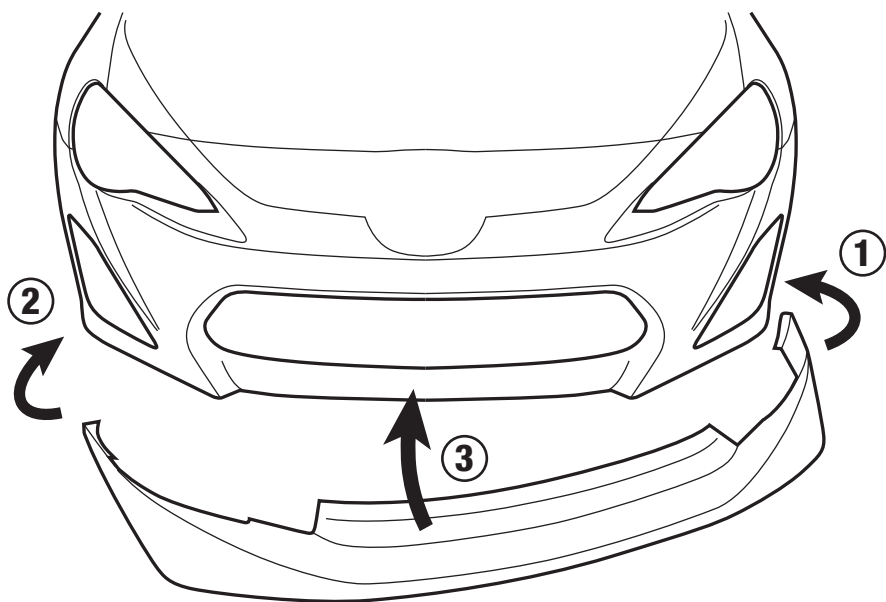


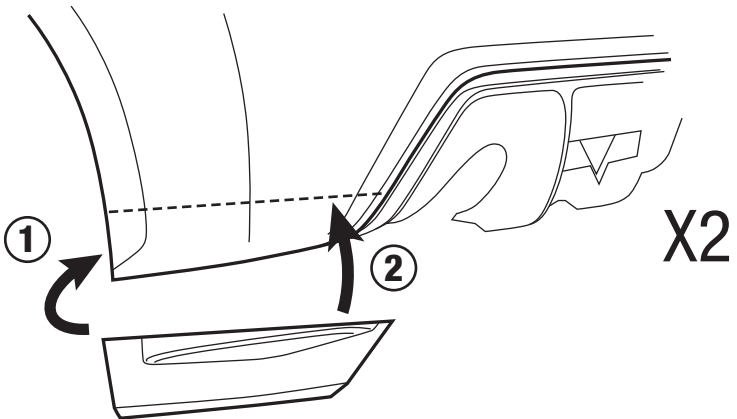
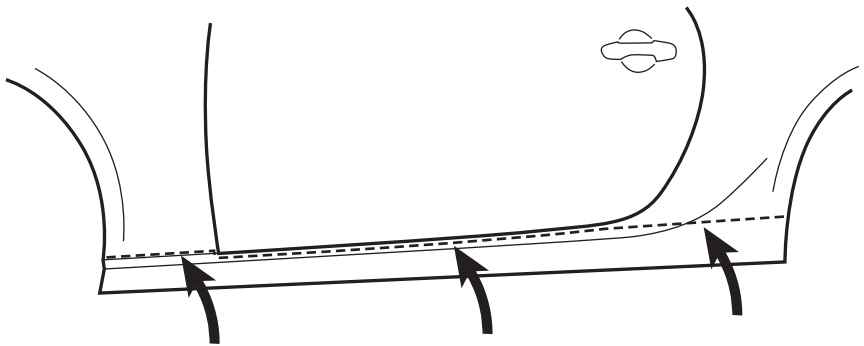
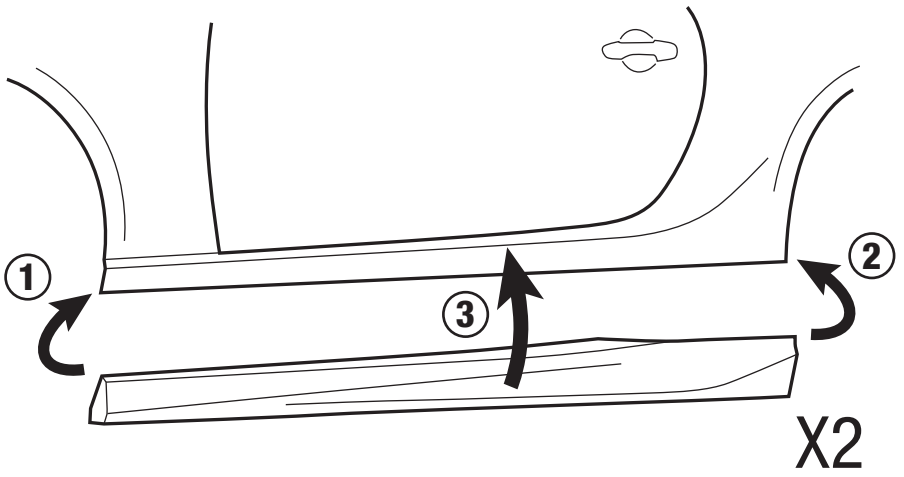
X2



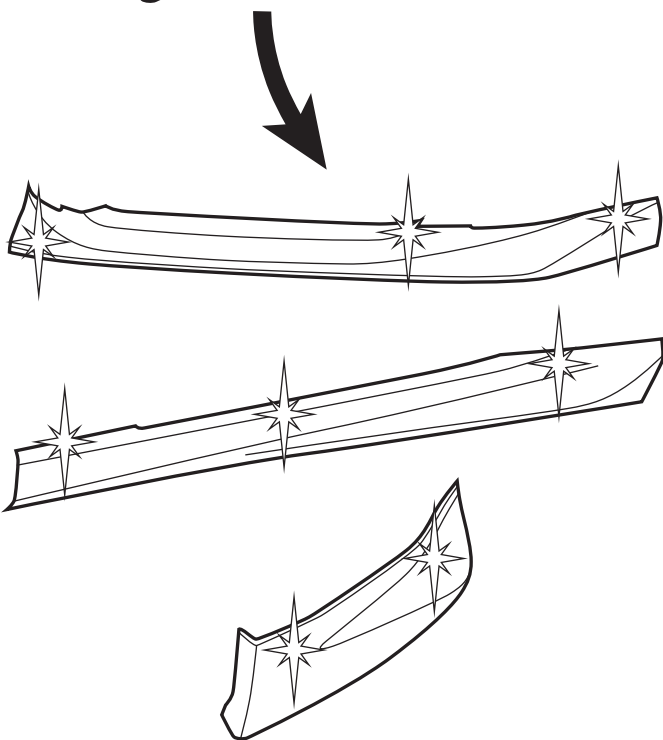
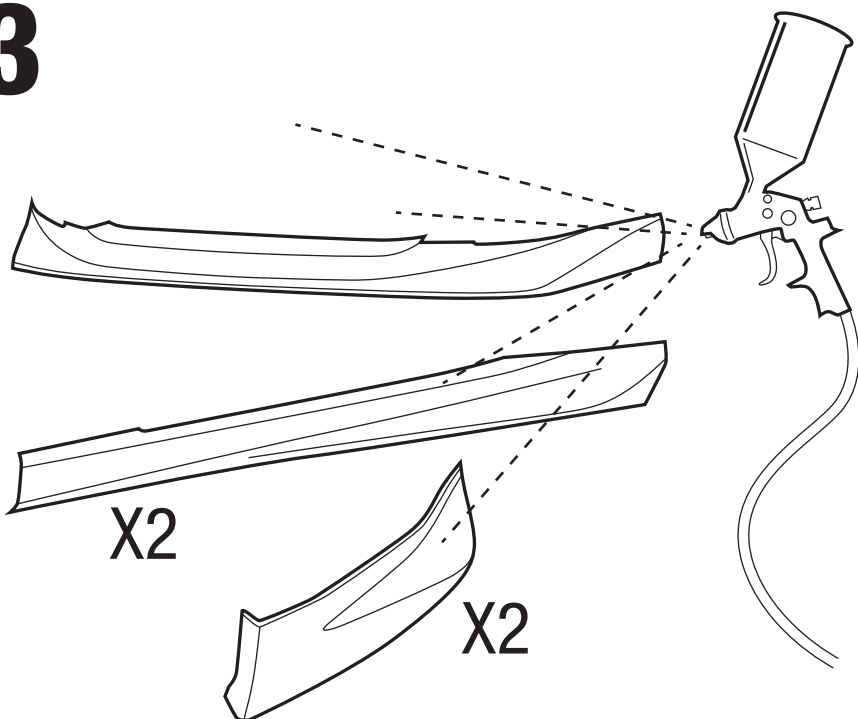
X2

# 2

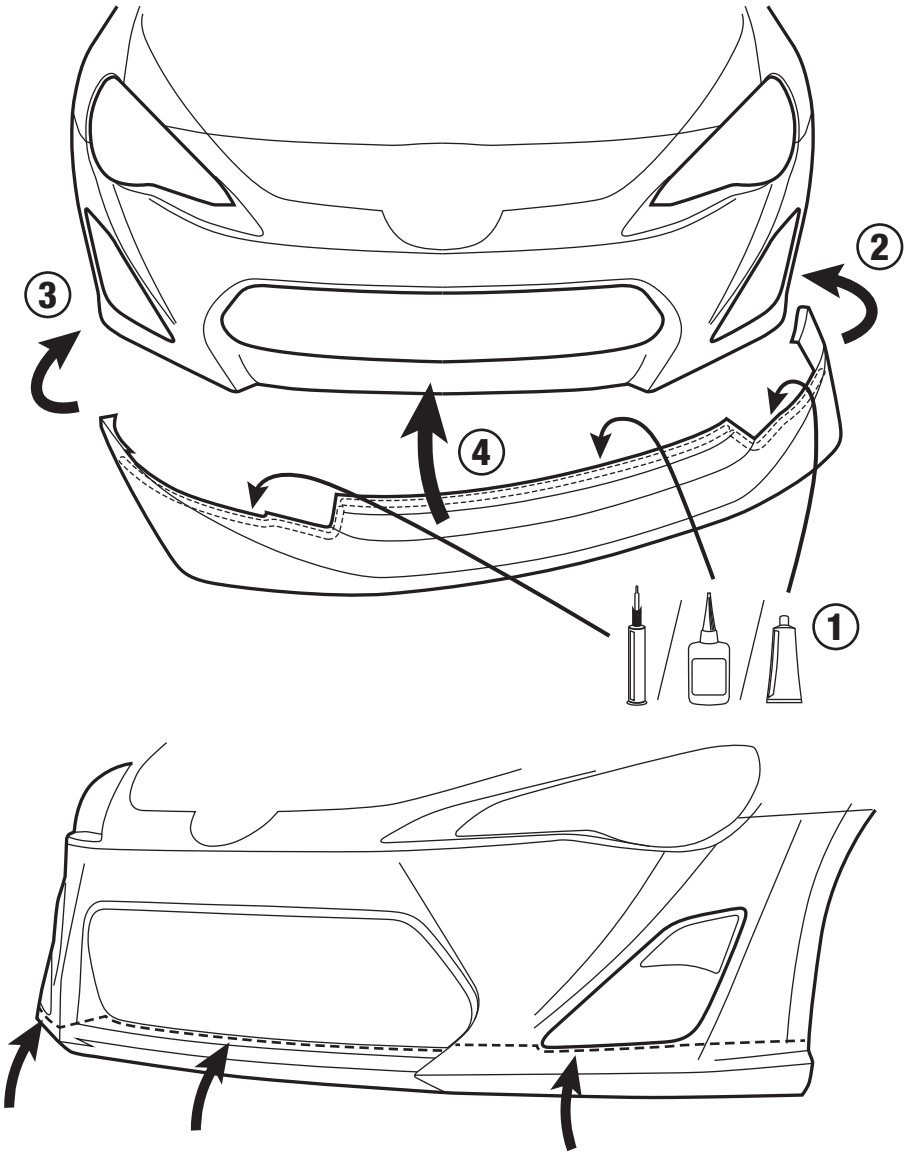




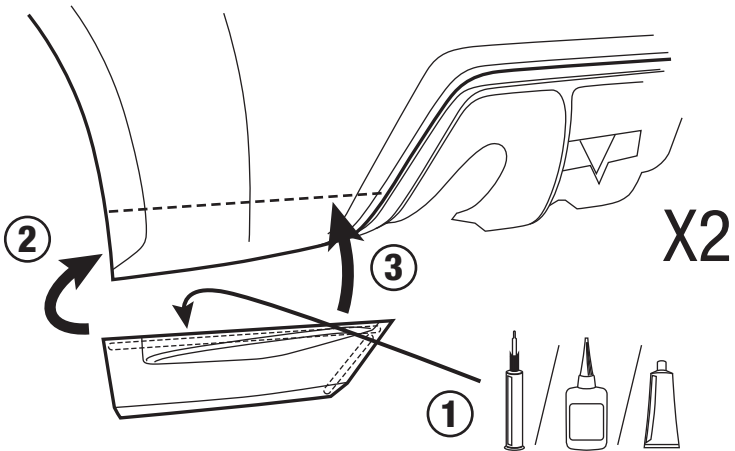
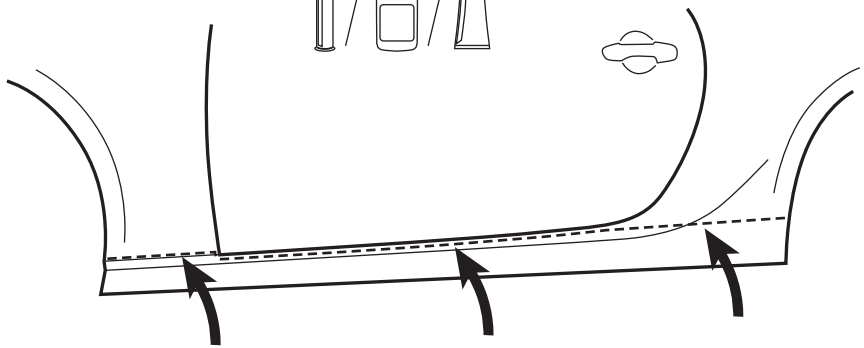
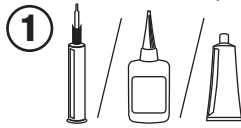
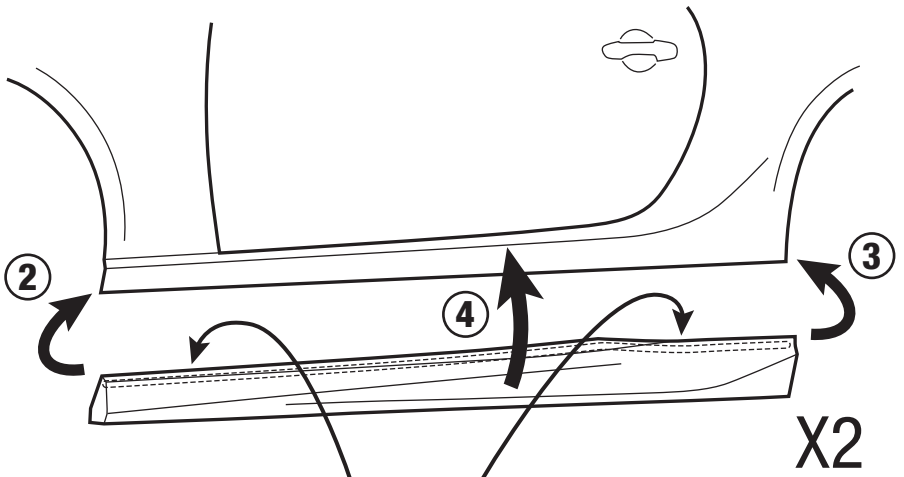
# 3



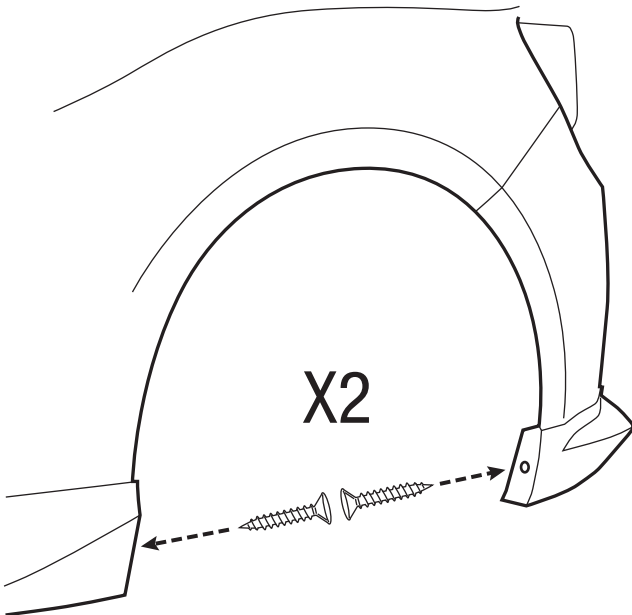
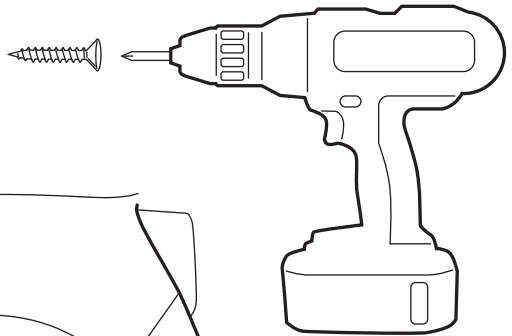
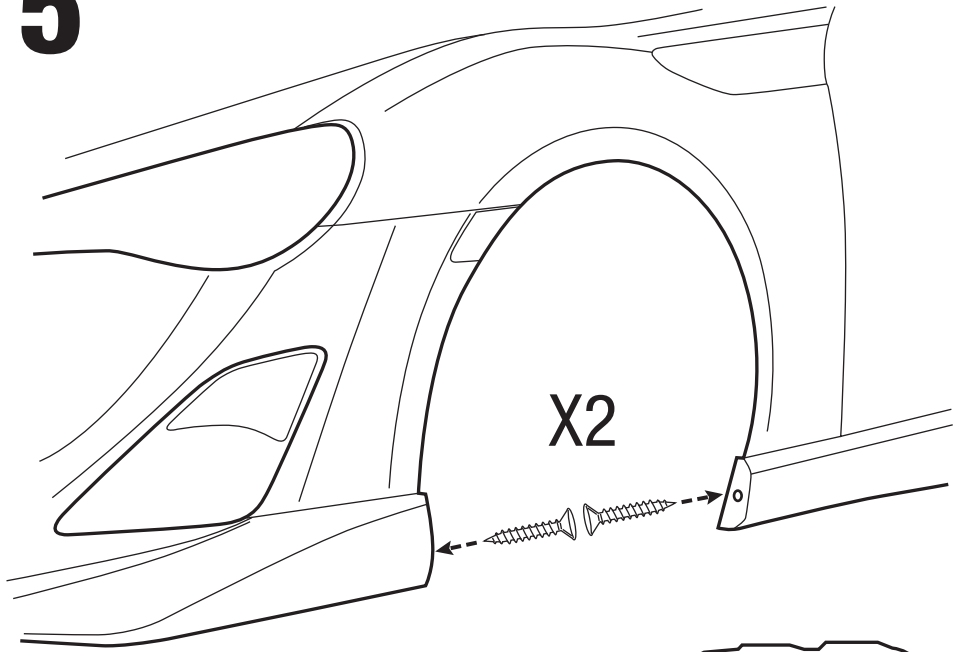
# 4







# 5



# **ML24**

**BODY KITS**

Manufactured by:



20 Claireport Crescent, Unit 8  
Etobicoke, Ontario, Canada  
M9W 6P6

[info@ML24.net](mailto:info@ML24.net)

1-416-716-3212